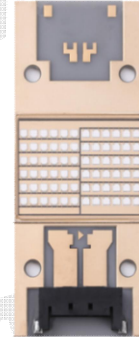


COB 5020 (6 row)

Introduction

COB 5020 (6 row) series are a kind of high radiation power UVLED with 72 pcs 45 mil chips, using ALN substrate.

The peak wavelength ranges from 365nm to 410nm.



Characteristics

Absolute Maximum Ratings

Parameter	Rating
Maximum DC Forward Current	6A
LED Junction Temperature	130°C
Operating Temperature	-30°C~85°C
Storage Temperature	-40°C~100°C

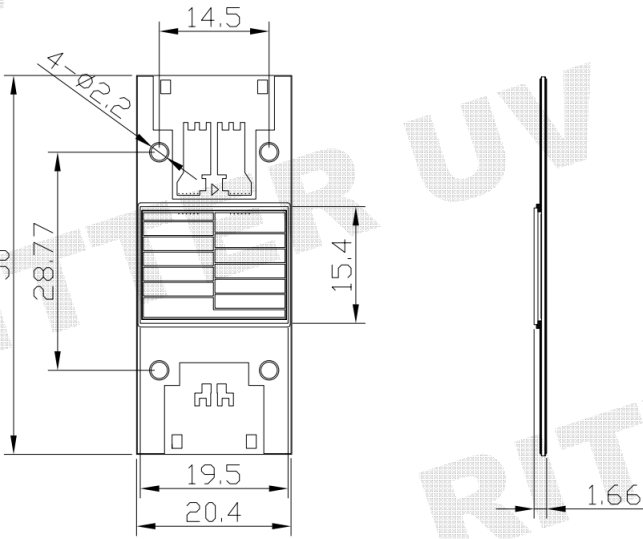
General Characteristics

Parameter	Rating
Dimensions	50mm*20.4mm*1.66mm
Chip Connection Arrangement	12S6P
Emitting Area Size	15.4mm*19.5mm
Typical Peak Wavelength	365nm~410nm
Typical Input Current	4.2A
Typical Input Voltage	37V~45V
Typical Peak Irradiance (@4.2A)	25w/cm ²
Connector type	6 pin terminal

Note :

Irradiance is measured at a distance of 1mm.

Dimensions



Top view

Side view

Notes :

1. Drawings are not to scale
2. All dimensions are in millimeter
3. Dimensions are $\pm 0.10\text{mm}$ unless otherwise indicated

Electrical Connector

